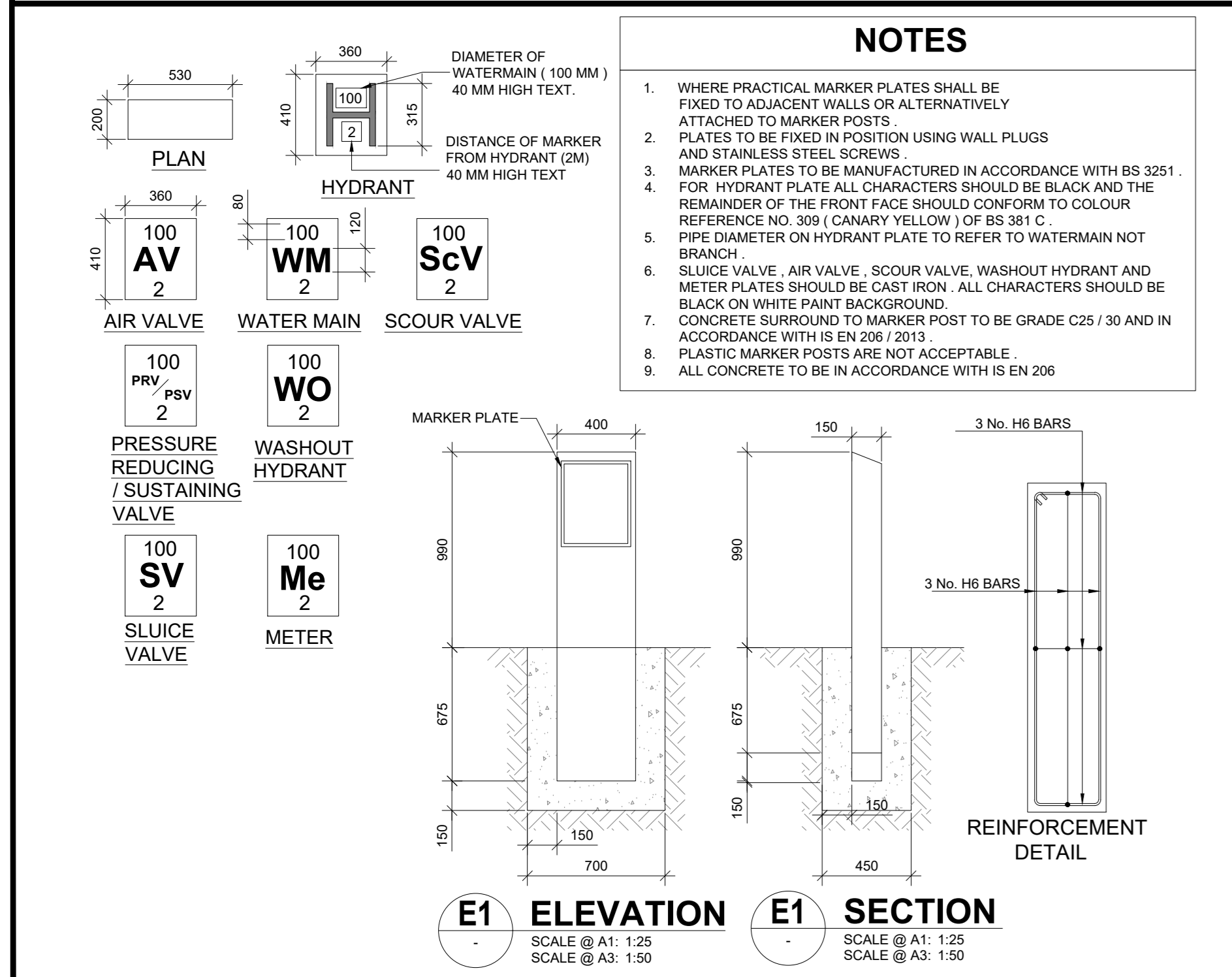


A TYPICAL TRENCH BACKFILL & BEDDING DETAILS

B TYPICAL SLUICE VALVE DETAILS FOR A POLYETHYLENE (PE) PIPE

C TYPICAL ON-LINE HYDRANT DETAILS FOR A POLYETHYLENE (PE) PIPE

D TYPICAL ON-LINE AIR VALVE DETAILS FOR A POLYETHYLENE (PE) PIPE

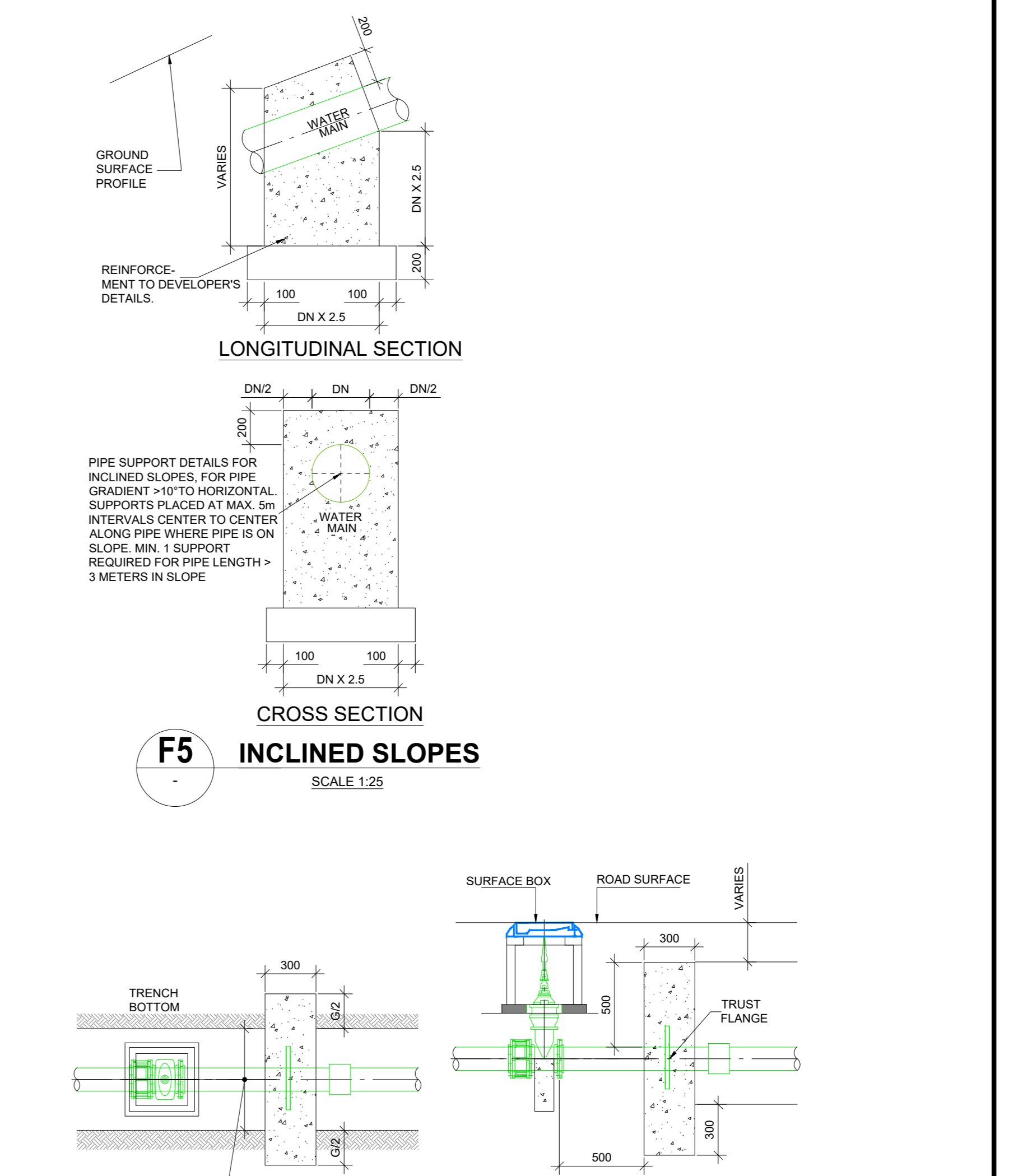
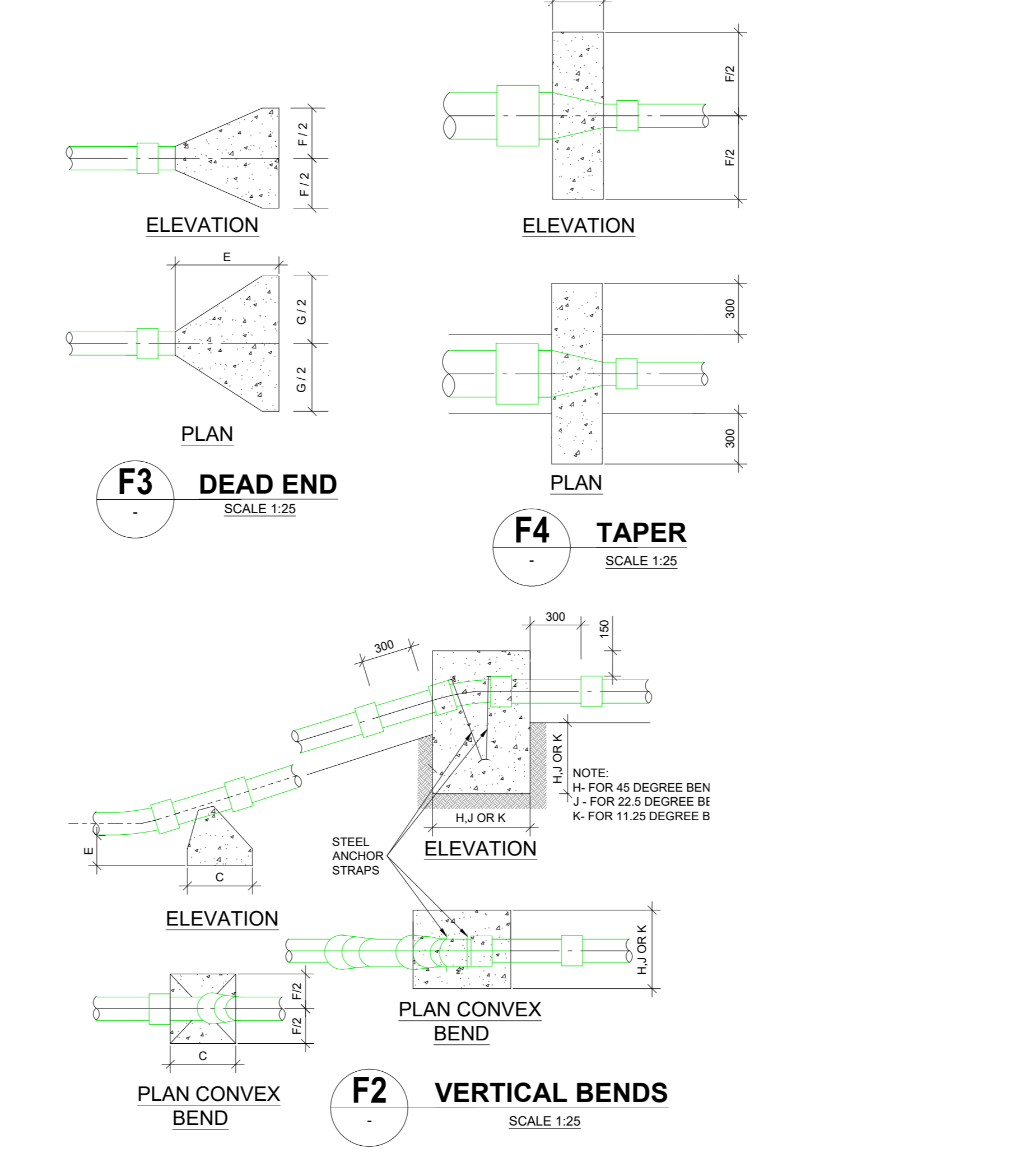
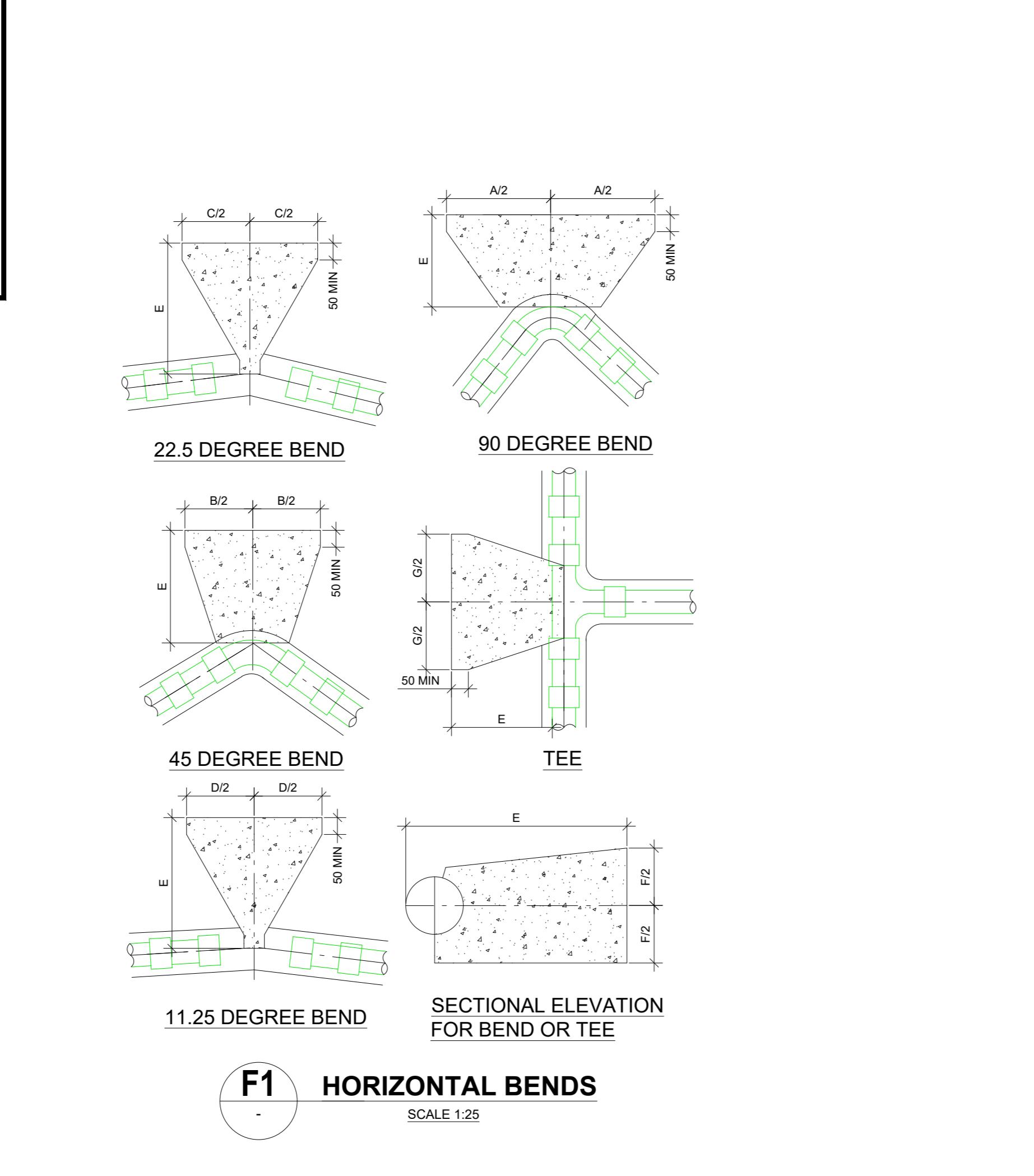


NOM. DIM. (mm)	DIMENSIONS										
	A	B	C	D	E	F	G	H	J	K	
100	600	330	160	80	200	350	380	380	600	400	
150	950	510	260	130	225	450	600	900	750	600	
200	1190	690	310	160	300	650	780	1050	900	750	
250	1390	790	360	200	300	800	970	1300	1050	790	
300	1580	890	450	220	320	950	1110	1300	1100	850	
350	1760	990	500	260	400	1050	1400	1550	1200	900	
400	1940	1090	550	300	500	1150	1600	1750	1300	1000	
450	2100	1190	600	350	600	1250	1800	1950	1400	1100	
500	2260	1290	650	400	700	1350	2000	2100	1500	1200	
550	2400	1390	700	450	800	1450	2100	2200	1600	1250	
600	2540	1490	750	500	900	1550	2200	2300	1700	1300	

NOM. DIM. (mm)	DIMENSIONS										
	A	B	C	D	E	F	G	H	J	K	
100	700	380	190	100	200	350	350	510	750	600	
150	1115	620	320	160	225	450	600	950	750	600	
200	1400	790	380	190	300	650	800	1150	950	750	
250	1700	940	480	240	320	800	1210	1350	1050	850	
300	2000	1130	580	300	380	950	1480	1500	1200	950	
350	2260	1410	720	360	500	1050	1660	1700	1300	1000	
400	2480	1610	800	420	750	1200	2110	1850	1500	1150	
450	2680	1840	940	470	900	1300	2330	2000	1600	1250	
500	2890	2110	1130	570	1000	1400	2490	2200	1750	1350	
600	3200	2710	1380	700	1500	1900	3050	2350	1900	1500	

NOM. DIM. (mm)	DIMENSIONS										
	A	B	C	D	E	F	G	H	J	K	
100	750	400	205	150	220	400	530	800	650	400	
150	1250	700	350	180	250	500	890	1000	850	650	
200	1650	890	450	230	320	700	1170	1290	1000	800	
250	1960	1080	540	270	350	800	1370	1450	1100	900	
300	2300	1290	640	320	500	1100	1630	1650	1300	1050	
350	2630	1580	830	410	750	1200	2070	1800	1500	1150	
400	2910	1890	970	480	1000	1300	2490	2000	1600	1250	
450	3210	2270	1160	580	1000	1350	2970	2150	1700	1350	
500	3490	2600	1310	610	1000	1400	3700	2250	1750	1450	
600	4200	3400	1760	800	1500	1900	4500	2400	2050	1600	

E TYPICAL MARKER POST / PLATE DETAILS



F7 THRUST BLOCK FOR DUCTILE IRON TO POLETHLENE CHANGE OVER

F TYPICAL WATERMAIN THRUST AND SUPPORT BLOCK DETAILS

F2 VERTICAL BENDS

F6 THRUST BLOCK FOR SLUICE VALVE/GATE VALVE

NOTES

- THIS DRAWING IS TO BE READ IN CONJUNCTION WITH ALL ENGINEERS & ARCHITECTS DRAWINGS FIGURED DIMENSIONS ONLY (NOT SCALING) TO BE USED. WHERE A CONFLICT OF INFORMATION EXISTS OR IF IN ANY DOUBT - ASK.
- CONSULTANTS TO BE INFORMED IMMEDIATELY OF ANY DISCREPANCIES BEFORE WORK PROCEEDS.

PL2	12.02.20	ISSUED FOR PLANNING	MC	RF
PL1	13.12.19	ISSUED FOR PLANNING	MC <th>RF</th>	RF
ISSUE	DATE	DESCRIPTION	DRN	P.E.

PLANNING

BM Dublin Office: Sandwith House, 53-54 Lower Sandwith Street, Dublin 2, Ireland. Tel: 01 677 2020 Fax: 01 677 2164
London Office: 12 Mitre Street, London SE1 3AY, United Kingdom Tel: (0204) 984 5413 2722

BARRETT | MANDRYN
Consulting Engineers, Civil, Structural, Project Management & E-mail: info@barrett-mandryn.com Web: www.barrett-m.com

Client: GREENLEAF HOMES LTD.

PROJECT TITLE: MIXED-USE DEVELOPMENT, THE FORMER GALLANER SITE, AIRTON ROAD, TALLAGHT, D24
MODEL REFERENCE: MODEL REV: SUBTABILITY: 19.136

DRAWING TITLE: STANDARD WATERMAIN DETAILS

Drawn by: ARD-BMD-00-XX-DR-C-1220
Date: PL2